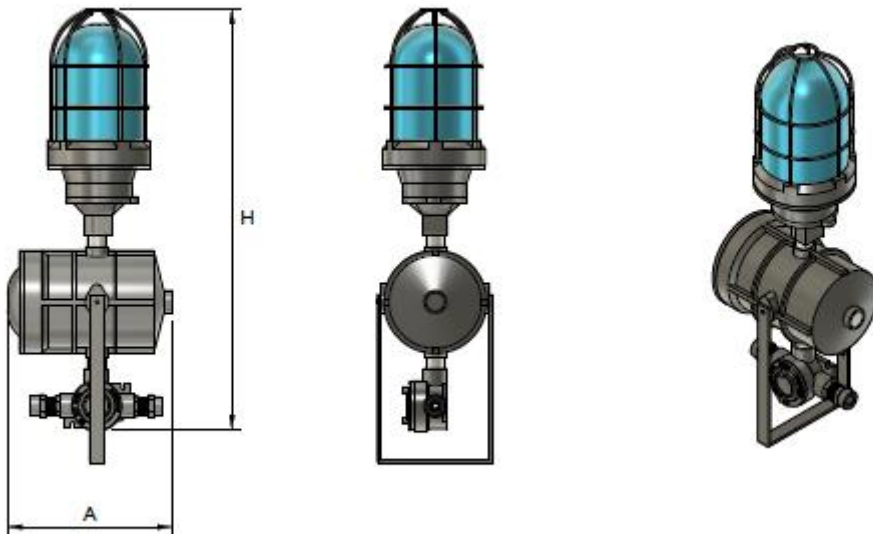


EW SERIES EX-PROOF LIGHTING FIXTURES

ATEX CERTIFICATE: INSEMEX-OEC.ATEX.18.0324X

CE  II 2 G Ex d II C T5/T4/T3 Gb

CE  II 2 D Ex tb III C T100°C/T135°C/T200°C Db



Catalog No.	Max.Power (Watt)	A (mm.)	H (mm.)
EWA-2125	125	130	220
EWA-2250	250	180	300
EWA-3400	400	130	355

APPLICATIONS

EW SERIES ex-proof with ballast lighting fixtures, Zone-1, Zone-21, Zone-2 and Zone-22 suitable for use in ex-proof environments. It is manufactured in metal form and with sodium vapor ballast.

MATERIAL

Body; aluminum casting (ETIAL 171)
Glass; Heat treated borocilicate glass
Colour: RAL 7040(grey)

TECHNICAL SPECIFICATIONS

220 V, 50 Hz with energy input
2x3/4" with hole
E27 or E40 bulb holder
With ballast (in metal form or sodium)
Used with gas discharge bulb.

MECHANICAL PROTECTION TYPE

IP 66